



C.E.B. IMPIANTI s.r.l.

IMPIANTI DI LAVAGGIO PER L'INDUSTRIA
WASHING PLANTS FOR INDUSTRY

Model EW80/A
HIGH PRESSURE (at 250 or 400bar)
WATER WASHING EQUIPMENT
suitable for inside washing of open tanks and IBCs



(Example picture only)

via Stab. Figliodoni, 14 - 23891 Barzanò (LC) - Italy
Tel. +39 039 958482 - Fax +39 039 9217563
www.cebimpianti.com - info@cebimpianti.com
VAT Nr. 02652530961

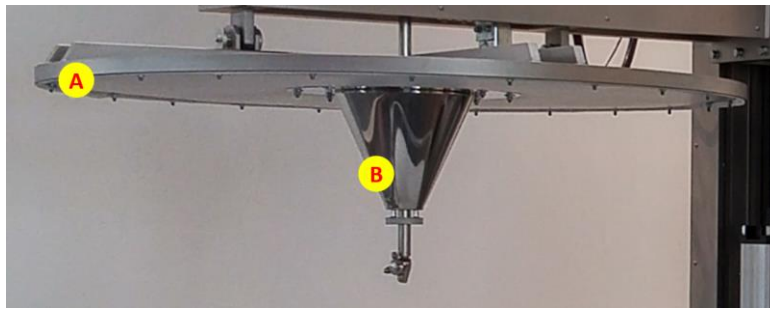


MAIN TECHNICAL FEATURES

Applicable to models EW80/Ac – EW80/Av – EW80/Acv	
<i>Insulation</i>	IP55
<i>PLC</i>	SIEMENS S7/1200
<i>Cycle process time</i>	Programmable
<i>Compressed air</i>	7 Bar
<i>Supply</i>	3x400 V – 50 Hz (different on request)
<i>Installed power</i>	39 kW (at 400 bar) 20 kW (at 250 bar)
<i>Motor</i>	37 kW (at 400 bar) 18,5 kW (at 250 bar)
<i>Overall dimensions</i>	See lay out
<i>Washing media</i>	Water / water + detergents / detergents / sanitizers
<i>Washing pressure</i>	400 bar – adjustable 250 bar – adjustable
<i>Flow</i>	45 lit/min (at 400 bar) 37 lit/min (at 250 bar)
<i>Temperature</i>	Max 40° Max 70°
<i>Washing pump</i>	High pressure pump
<i>Rinsing pump</i>	High pressure pump
<i>Emptying pump</i>	Double diaphragm at 1"
<i>Feeding pump</i>	Double diaphragm at 1"
<i>Loading cage</i>	Equipped with tilting platform
<i>Sealing</i>	c models Cone, standard from \varnothing 150mm to 250mm v models Flange, standard \varnothing 1700mm (-150mm) cv models Flange standard \varnothing 1700mm (-150mm) + cone (standard \varnothing 150mm to 250mm) Optional according to diameter (upon request)
<i>Vessel diameter</i>	from 800mm to 1600mm
<i>Vessel height</i>	from 900mm to 1650mm (total height 1950mm, wheels included) with minimal distance from floor of 150mm
<i>Column height</i>	Standard 2800mm Optional according to vessel (upon request)
<i>Filters</i>	Nr. 2 stainless steel filters: * first one (400 μ) for residual liquid * second one (200 μ) for the high-pressure pump protection
<i>Washing time</i>	The cycle time can be selected by the operator. The whole cycle lasts usually between 3 to 5 minutes
<i>Safety devices</i>	Cover lowering sensor Washing liquid flow sensor Compressed air sensor Cleaning media flow sensor

**Technical features may change without prior notice.
Consult with CEB Impianti for the latest version available.**

SEALING



A	EW100/Av	for open tanks
B	EW100/Ac	for IBCs
A+B	EW100/Acv	for open tanks and IBCs

TANK SIZES:

Open tank vessels



Ø Tank	Ø Cover
800mm ~ 1450mm (31,5" ~ 57")	1600mm (63")
Up to 1550mm (61")	1700mm (67")
Up to 1650mm (65")	1800mm (70,86")
Height (without wheels)	Height (with wheels)
900mm ~ 1650mm (35,5" ~ 65")	Up to 1950mm (76,77")

NOTE:

- with minimal distance from floor of 150mm (2")
- Tanks must be equipped with bottom drain valve on the side at 3"

1000lt IBCs in HDPE



Ø Hole
150mm ~ 250mm (2" ~ 57")
Height
International standards, but accepted up to 1950mm (76,77")

NOTE:

- Tanks must be equipped with bottom drain valve on the side at 3"

1000lt IBCs in stainless steel

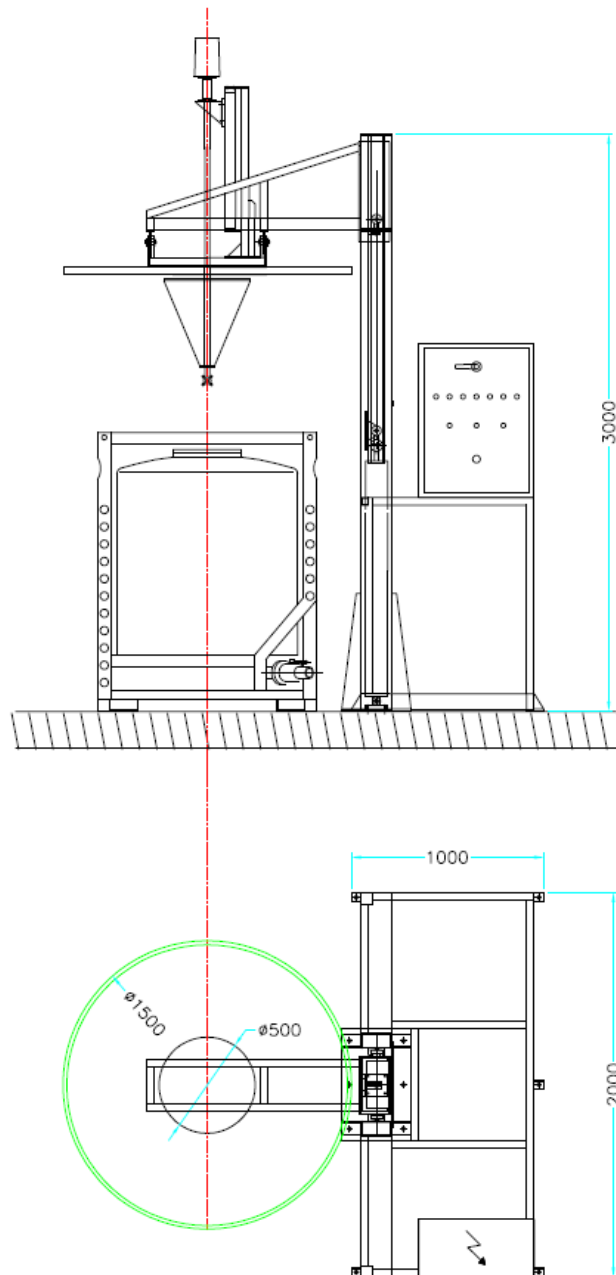


Ø Hole
150mm ~ 250mm (2" ~ 57")
For bigger diameters, an adapter is required
Height
International standards, , but accepted up to 1950mm (76,77")

NOTE:

- Tanks must be equipped with bottom drain valve on the side at 3"

LAYOUT (indicative)



**Check your technical request and the dimensions of your containers
with CEB Impianti before considering the use of the present washing machine**

CEB Impianti S.r.l.
via Stab. Figliodoni, 14 - 23891 Barzanò (LC) - Italy
Tel. +39 039 958482 - Fax +39 039 9217563
VAT Nr. 02652530961

February 2019 – Rev. A